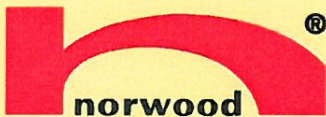


Economical Thermal Transfer Printer

53XL80 Features

- State-of-the-art high-resolution print head technology
- Low cost of ownership. Rugged, proven hardware and software designs
- Self contained, (two component) space saving design, printer and power supply
- Large 600 meter ribbon capacity
- Precise ribbon advance control for the most accurate and economical use of ribbon
- PR5 LCD handset with USB
- Unprecedented 2-year warranty
- Patented spent ribbon quick release



53XL80 Specifications

Dimensions:

Height	8.08" (205mm)
Width	6.30" (190mm)
Depth	7.95" (202mm)
Weight	18 lbs, 8 kg

Electrical Standard

110/220/240 V 50/60 Hz 250 Watts
 CE Certified
 Air Supply
 30-80 psi

Print Area

Intermittent Motion:
 Width 2.08" (53mm)
 Length 3.15" (80mm)

Print Dot Density

12 dots/mm (300 dpi) horizontally and vertically

Print Speed

Up to 400 mm/sec

Ribbon

Up to 600 meter (1970' roll)

Memory

Printer: 200 kb
 Extended memory with USB

Modes of Operation

PRS handset operation interface
 Direct connection to PC

Outputs

Ribbon out
 Cassette open
 Head up/down
 Inhibit (printing or ready to print)

Inputs

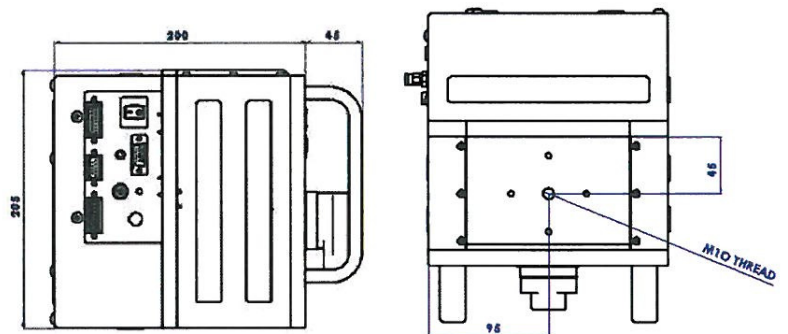
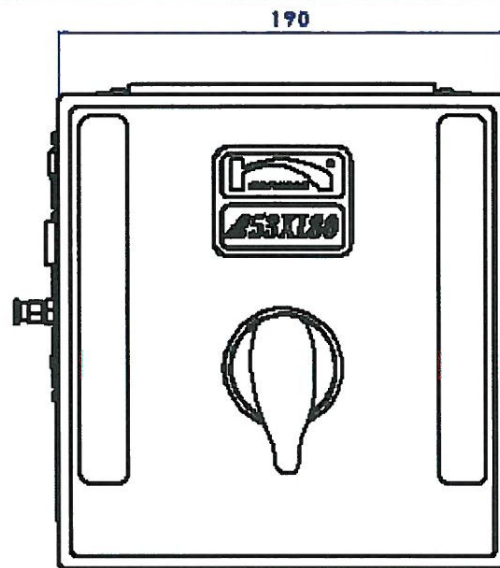
Print Signal

Character Sizes

6-72 pt. high (scalable in width)

Functions

Normal and obligatory text
 Date/real time clock
 Graphics images - BMP format
 0, 90, 180, 270 rotation
 Extended date codes



Norwood Marking Systems, A Division of ITW
 2538 Wisconsin Avenue
 Downers Grove, IL 60515
 Phone: (630) 968-0646
 Toll Free: (800) 626-3464
 Fax: (630) 968-7672
www.itwnorwood.com

Text

Four (4) resident fonts = (scalable in width)

Bar Codes

RSS14, RSS14 truncated, RSS14 limited, RSS14 stacked,
 RSS14 stacked omni-directional, EAN-8, EAN-13, EAN-128,
 CODE 128, CODE 39, 1-2 of 5, Code 93, DUN 14, ISBN, UPC-A
 Datamatrix, FNC1 + Datamatrix ISBN

Communications

RS-232 (PC), Ethernet, Remote image loading with USB
 Multi-language (12) support standard